

**CX C-SERIES HYDRAULIC EXCAVATORS
CX130C | CX160C | CX180C**

CASE

CONSTRUCTION



**TECHNOLOGY
YOU CAN TRUST**

www.casece.com

**EXPERTS FOR THE REAL WORLD
SINCE 1842**

CX C-SERIES HYDRAULIC EXCAVATORS

Clean power

Case C Series excavators use clean and efficient Tier 4 interim diesel engines.

Equipped with cooled exhaust gas recirculation (CEGR) and a diesel particulate filter, the engine is capable of meeting emissions regulations without the need for additional diesel exhaust fluids.

Automatic self-regeneration of the diesel particulate diffuser (DPD) ensures no loss of productivity, while low engine rpm, improved hydraulic pump control and five new energy saving systems boost fuel economy by up to 15%.

A green economy gauge can be activated in the cab to inform the operator of the most economical operating mode setting for the machine, reporting fuel consumption in real-time.





CX C-SERIES HYDRAULIC EXCAVATORS

Advanced energy management

Through the use of 5 new fuel saving functions, C series excavators speed up productivity and substantially improve fuel economy. The new systems include:

Boom Economy Control (BEC)

Increased fuel efficiency during boom lower and swing operations.

Automatic Economy Control (AEC)

Improved fuel efficiency when servo joysticks are in neutral position and the operator is not calling for power from the machine.

Swing Relief Control (SWC)

Carefully manages the hydraulic power distribution at slewing operations, to provide the most efficient flow and pressure.

Spool Stroke Control (SSC)

Creates an automatic pressure adjustment during digging and leveling operations.

It saves fuel, while improving controllability for the operator in fine digging operations.

Idle functions:

All C-series excavators also feature Auto Idle and Idle Shut Down systems.

When activated, Auto Idle automatically lowers engine revs, whatever the throttle position, when the levers have been inactive for 5 seconds.

Manually, Idle can be activated by a switch on the joystick. Idle shut down, when activated, shuts down the engine when there has been no activity for 3 minutes, resulting in additional fuel savings.





Increased productivity

As part of the Case Intelligent Hydraulic System all Case C Series excavators benefit from improvements in performance and productivity.

Lifting capacity is increased and cycle times have been cut. Individual operating weights are slightly increased to cope with the additional digging and loading forces, ensuring stable, consistent high production for the customer.

Bucket and boom down regeneration systems feed hydraulic oil back to the supply side of the pump, reducing the requirement for engine power.

The C Series excavators use the familiar working mode control from the B Series machines, making it easy for the operator to become familiar with the new models. The Super Power Mode provides a 5% boost when required for maximum digging ability.

The new monitor in the C Series machines provides operators with the chance to pre-programme auxiliary hydraulic flow and pressure settings (option) for up to 10 attachments, providing rapid changeover and increased productivity.



CX C-SERIES HYDRAULIC EXCAVATORS



Tier 4 interim: lower consumption, top durability

The new Isuzu 4-cylinder engine meets EPA's Tier 4 interim without a need for additional diesel exhaust fluid.

The cooled exhaust gas recirculation (CEGR) in dual layer design effectively reduces NOx while PM is reduced by a diesel particulate filter (DPF) in combination with the variable geometry turbocharger. A diesel oxidation catalyst (DOC) treats carbon monoxide, hydrocarbons and other compounds.

Both components are integrated in the DPD (Diesel Particle Diffuser). Automatic self regeneration speeds your productivity - you can go on working as usual without stopping for the regeneration process of the particle diffuser. Side by side coolers, intercooler and the fuel cooler are now even more efficient thus further increasing our well appreciated durability.

A look under the hood immediately confirms an extremely efficient use of space: the engine, the cooling system and the exhaust system are all designed and grouped so as to take advantage of all the available space, while also granting excellent serviceability and operator visibility.

A ECO gauge can be activated on the new multifunction screen to inform you instantly about the key parameters concerning fuel economy and fuel consumption. Low engine rpm in combination with further improved pump torque control and further 5 new energy saving systems reduces the fuel consumption further by up to 10%.



First class serviceability

All filters and regular fill points are grouped for easy access, with engine oil change intervals set at 500 hours. A synthetic filter is used for the hydraulic oil, providing 5,000 hour intervals, and all pins and bushes (except the bucket pin) use the Case Extended Maintenance System bushings, allowing greasing intervals of up to 1,000 hours.

The radiator and cooler cores are mounted side by side, to allow easy access for cleaning and more efficient cooling. A 100 litre/min refuelling pump with automatic cut off is provided as standard, reducing downtime for regular fills.

The Japanese-built Case excavators boast an enviable reputation for reliability and durability, which looks set to continue with the new C Series of CX class crawler excavators.

CX C-SERIES HYDRAULIC EXCAVATORS

First class operator environment

The C Series cab is 7% larger than the previous models and uses a smaller top beam and no overlap in the front windows to offer improved all round visibility. Noise levels are reduced to almost automotive standards, around 70dB(A), while the operator has a suspension seat and fully adjustable levers as standard. Travel pedals require less effort, reducing fatigue for the operator.

The ROPS/FOPS level 1 certified cab sits on new suspension mounts. To reduce vibration for the operator and contribute to the lower internal noise levels.

The cab has a powerful air conditioning system with 25% more airflow and an 8% increase in performance.

New mirrors and a standard rear view camera, with optional side camera, improved 178 mm LED monitor inside the cab, providing the operator with a safe and secure working environment.





Full colour multifunction monitor

The standard 178 mm LED monitor provides all of the information that the operator needs at a glance. Easy to use buttons guide the operator through the screen functions and the monitor can be split to show the standard rear view, and optional side view camera images.

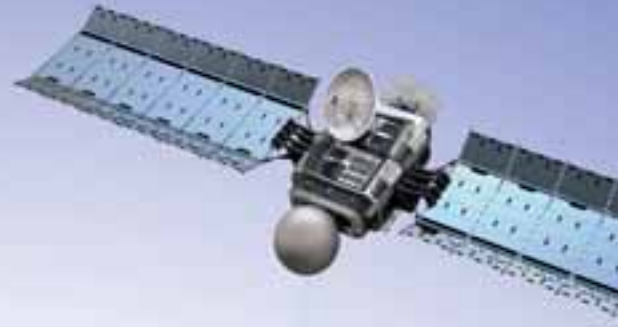
Information includes working mode, travel speed, working lights, attachment choice, time and working hours, along with system data such as coolant and hydraulic oil temperatures, fuel level and the condition of the particulate filter and the auto-regeneration function.

When selected, the ECO gauge displays the function of the various energy saving systems, allowing the operator to maximise efficiency and save fuel.

The monitor can be set to work in one of 20 languages, and is also used by service technicians to access onboard diagnostic functions.



TELEMATICS



CASE®
CONSTRUCTION

SiteWatch™

THE SCIENCE BIT

The Case SiteWatch telematics system uses a high-tech control unit mounted on each machine to collate information from that machine and from GPS satellites. This data is then sent wirelessly through the mobile communication networks to the Case Telematics Web Portal.

SiteWatch: centralised fleet control benefits at your fingertips

📶 Measure your true asset availability and optimise it

- Eliminate the “phantom fleet”: SiteWatch allows to identify spare units or under loaded machines on each site.
- Become able to reallocate units where they are more needed.
- Forward Maintenance Planning is easier since the actualised working hours are always available.
- Extend the benefits of SiteWatch to the rest of your fleet: SiteWatch can be installed on the units of other brands as well.

📶 Challenge your Total Cost of Ownership!

- Being able to compare the fuel usage of different machine types will allow you choose the right equipment.
- Save on transport costs with planned and grouped maintenance tasks.
- Peace of mind, optimised uptime and lower repair costs: with preventive maintenance you can for example be alerted if the engine needs to be serviced and avoid a disruptive breakdown.
- Be able to compare your asset Return On Investment on different sites.
- Your equipment is used only during working hours. You can set up alerts so that you know if it is in use during the weekend or at night.
- Integrate with the programmed maintenance package, so that you can be sure every machine is at the right place at the right time.

📶 More Safety, Lower Insurance Premium

- Keep thieves away: dissuade them from attacking your asset because it is geo-localised. SiteWatch is hidden so that thieves can't find it quickly.
- Your fleet is used only where you decide. You can define a virtual fence and receive an email when a machine exits that perimeter.



CX C-SERIES HYDRAULIC EXCAVATORS

CX130C

Specifications

Engine

| | |
|--|-----------------------------------|
| Engine Model | ISUZU AP-4LE2X |
| Rated flywheel horse power (ISO 14396) | 41.2 kW at 2000 min ⁻¹ |
| Maximum torque (ISO 9249) | 193 Nm at 1800 min ⁻¹ |
| Emissions level | Tier 4 Final / Stage IIIB |
| Piston displacement | 2179 cc |

Hydraulic system

| | |
|--------------------------|--|
| Max oil flow | 2 x 74 liter/min at 2000 min ⁻¹ |
| Working circuit pressure | |
| Boom/Arm/Bucket | 29.4 MPa |
| Swing circuit | 22.6 MPa |
| Travel circuit | 29.4 MPa |
| Pilot pump (1 gear pump) | |
| Max. oil flow | 18 liter/min |
| Working circuit pressure | 3.9 MPa |
| Blade pump (1 gear pump) | |
| Max. oil flow | 35.4 liter/min at 2000 min ⁻¹ |
| Working circuit pressure | 23.5 MPa |
| Maximum swing speed | 10.4 min ⁻¹ |
| Work mode display | (SP, H, Auto) |

Performance

| | |
|---|-----------|
| Travel speeds (Automatic travel speed shifting) | |
| High | 5.1 km/h |
| Low | 3.2 km/h |
| Boom swing left (CX80C) | 80° |
| Boom swing right (CX80C) | 45° |
| Drawbar pull | 59.5 kN |
| Grade-ability | 70% (35°) |

Capacities

| | |
|------------------|--------|
| Fuel tank | 120 l |
| Hydraulic system | 96.3 l |
| Engine oil | 11.5 l |
| Cooling system | 12.2 l |

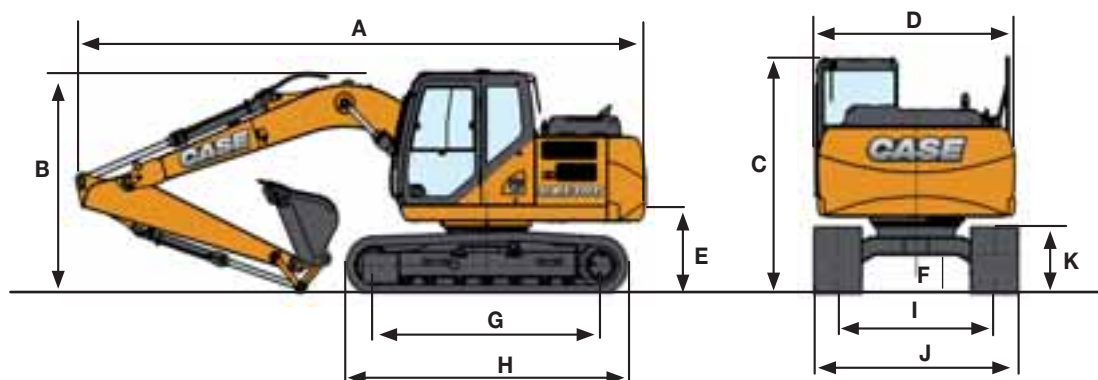
Weight and ground pressure

With 2.50 m Arm , 0.5 m³ bucket, operator, lubricant, coolant, full fuel tank

| CX130C | Weight (kg) | Ground pressure (MPa) |
|---------------------|-------------|-----------------------|
| 600 mm grouser shoe | 13.200 | 0.033 |

| CX130C BLADE | Weight (kg) | Ground pressure (MPa) |
|---------------------|-------------|-----------------------|
| 600 mm grouser shoe | 13.800 | 0.038 |

General dimensions



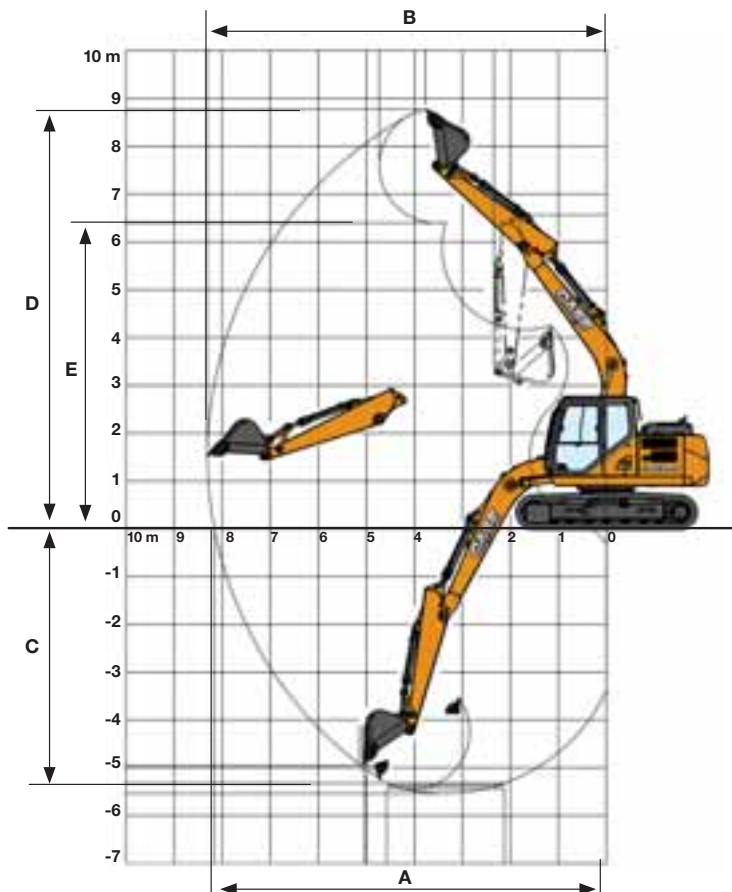
| | Arm 2.50 m | Arm 3.00 m | Arm 2.10 m |
|---|------------|------------|------------|
| Overall length (without attachment) | 4010 mm | 4010 mm | 4010 mm |
| A Overall length (with attachment) | 7620 mm | 7610 mm | 7610 mm |
| B Overall height (with attachment) | 2920 mm | 2920 mm | 2920 mm |
| C Cab height | 2920 mm | 2920 mm | 2920 mm |
| D Upper structure overall width | 2540 mm | 2540 mm | 2540 mm |
| Swing (rear end) radius | 2130 mm | 2130 mm | 2130 mm |
| E Clearance height under upper structure | 895 mm | 895 mm | 895 mm |
| F Minimum ground clearance | 440 mm | 440 mm | 440 mm |
| G Wheel base (Center to center of wheels) | 3040 mm | 3040 mm | 3040 mm |
| H Crawler overall length | 3760 mm | 3760 mm | 3760 mm |
| I Track gauge | 1990 mm | 1990 mm | 1990 mm |
| J Undercarriage overall width (with 600 mm shoes) | 2590 mm | 2590 mm | 2590 mm |
| K Crawler tracks height | 790 mm | 790 mm | 790 mm |

| CX130C BLADE | Arm 2.50 m | Arm 3.00 m | Arm 2.10 m |
|---|------------|------------|------------|
| Overall length (without attachment) | 4180 mm | 4180 mm | 4180 mm |
| A Overall length (with attachment) | 7920 mm | 7910 mm | 7910 mm |
| B Overall height (with attachment) | 2920 mm | 2920 mm | 2920 mm |
| C Cab height | 2920 mm | 2920 mm | 2920 mm |
| D Upper structure overall width | 2540 mm | 2540 mm | 2540 mm |
| Swing (rear end) radius | 2130 mm | 2130 mm | 2130 mm |
| E Clearance height under upper structure | 895 mm | 895 mm | 895 mm |
| F Minimum ground clearance | 440 mm | 440 mm | 440 mm |
| G Wheel base (Center to center of wheels) | 2790 mm | 2790 mm | 2790 mm |
| H Crawler overall length | 3500 mm | 3500 mm | 3500 mm |
| I Track gauge | 1990 mm | 1990 mm | 1990 mm |
| J Undercarriage overall width (with 600 mm shoes) | 2590 mm | 2590 mm | 2590 mm |
| K Crawler tracks height | 790 mm | 790 mm | 790 mm |

CX C-SERIES HYDRAULIC EXCAVATORS

CX130C

Performance data



CX130C / CX130C BLADE

Arm 2.50 m

Arm 3.00 m

Arm 2.10 m

| | | | |
|------------------------|---------|---------|---------|
| Boom length | 4630 mm | 4630 mm | 4630 mm |
| Bucket radius | 1200 mm | 1200 mm | 1200 mm |
| Bucket wrist action | 178° | 178° | 178 ° |
| A Maximum reach at GRP | 8170 mm | 8640 mm | 7810 mm |
| B Maximum reach | 8310 mm | 8770 mm | 7960 mm |
| C Max. digging depth | 5540 mm | 6050 mm | 5150 mm |
| D Max. digging height | 8770 mm | 9050 mm | 8550 mm |
| E Max. dumping height | 6390 mm | 6680 mm | 6170 mm |

Digging force With 0.5 m³ bucket (ISO 6015)

CX130C / CX130C BLADE

Arm 2.50 m

Arm 3.00 m

Arm 2.10 m

| | | | |
|-------------------------|-------|-------|-------|
| Arm digging force | 62 kN | 56 kN | 70 kN |
| - with auto power boost | 66 kN | 60 kN | 74 kN |
| Bucket digging force | 90 kN | 90 kN | 90 kN |
| - with auto power boost | 95 kN | 95 kN | 95 kN |

Lifting capacity

| Front 360° | REACH | | | | | | | | | | | | |
|---------------|-------|-------|-------|-------|-------|-------|--------------|--|---|--|--|--|--|
| | 0 m | 1.5 m | 3.0 m | 4.5 m | 6.0 m | 7.5 m | At max reach | | m | | | | |

Standard arm. 2.50 m arm length, 0.50 m³ bucket, 600G LC shoes, max reach 8.02 m

| | | | | | | | | | | | | | | | |
|--------|-------|-------|-------|-------|-------|-------|-------|-------|-------|------|-------|-------|-------|-------|------|
| 7.5 m | | | | | | | 1840* | 1840* | | | | | 1430* | 1430* | 5.22 |
| 6.0 m | | | | | | | | | 2380* | 2220 | | | 1210* | 1210* | 6.7 |
| 4.5 m | | | | | | | 2910* | 2910* | 2840* | 2180 | 1250* | 1250* | 1150* | 1150* | 7.53 |
| 3.0 m | | | | | 5260* | 5260* | 3960* | 3370 | 3240 | 2080 | 2210 | 1380 | 1150* | 1150* | 7.94 |
| 1.5 m | | | | | 7710* | 5900 | 4990 | 3120 | 3130 | 1960 | 2160 | 1330 | 1210* | 1170 | 8.02 |
| 0 m | | | 2480* | 2480* | 7980* | 5440 | 4810 | 2910 | 3020 | 1860 | 2110 | 1290 | 1350* | 1200 | 7.8 |
| -1.5 m | 3700* | 3700* | 5020* | 5020* | 9250* | 5400 | 4710 | 2820 | 2960 | 1810 | | | 1620* | 1350 | 7.25 |
| -3.0 m | 5050* | 5050* | 7810* | 7810* | 8530* | 5500 | 4750 | 2870 | 3020 | 1880 | | | 2180 | 1710 | 6.31 |
| -4.5 m | | | | | 6470* | 5660 | 4010* | 3000 | | | | | 3500* | 2710 | 4.76 |

Short arm. 2.10 m arm length, 0.55 m³ bucket, 600G LC shoes, max reach 7.67 m

| | | | | | | | | | | | | | | | |
|--------|--|--|-------|-------|-------|-------|-------|-------|-------|------|-------|------|-------|-------|------|
| 7.5 m | | | | | | | 2070* | 2070* | | | | | 1760* | 1760* | 4.6 |
| 6.0 m | | | | | | | 2900* | 2900* | 2270* | 2150 | | | 1460* | 1460* | 6.26 |
| 4.5 m | | | | | | | 3240* | 3240* | 3020* | 2120 | | | 1370* | 1370* | 7.14 |
| 3.0 m | | | | | 5680* | 5680* | 4250* | 3280 | 3200 | 2030 | 1810* | 1330 | 1370* | 1300 | 7.58 |
| 1.5 m | | | | | 8030* | 5680 | 4950 | 3030 | 3080 | 1910 | 2120 | 1290 | 1440* | 1240 | 7.67 |
| 0 m | | | | | 7270* | 5320 | 4740 | 2840 | 2980 | 1820 | | | 1600* | 1280 | 7.44 |
| -1.5 m | | | 5460* | 5460* | 9090* | 5380 | 4680 | 2800 | 2950 | 1800 | | | 1920* | 1470 | 6.86 |
| -3.0 m | | | 8160* | 8160* | 8060* | 5520 | 4750 | 2880 | | | | | 2660* | 1920 | 5.85 |
| -4.5 m | | | | | | | | | | | | | 3810* | 3550 | 4.0 |

Long arm. 3.00 m arm length, 0.37 m³ bucket, 600G LC shoes, max reach 8.48 m

| | | | | | | | | | | | | | | | |
|--------|--|--|--------|--------|-------|------|-------|------|-------|-------|-------|------|-------|-------|------|
| 7.5 m | | | | | | | | | | | | | 1370* | 1370* | 5.96 |
| 6.0 m | | | | | | | | | 2240* | 2240* | | | 1200* | 1200* | 7.26 |
| 4.5 m | | | | | | | | | 2610* | 2250 | 2050* | 1470 | 1140* | 1140* | 8.02 |
| 3.0 m | | | | | | | 3450* | 3390 | 2990* | 2140 | 2250 | 1420 | 1150* | 1110 | 8.4 |
| 1.5 m | | | | | 6630* | 6100 | 4700* | 3180 | 3170 | 2000 | 2180 | 1350 | 1210* | 1060 | 8.49 |
| 0 m | | | 2600* | 2600* | 8570* | 5490 | 4840 | 2930 | 3030 | 1870 | 2120 | 1290 | 1340* | 1080 | 8.28 |
| -1.5 m | | | 4560* | 4560* | 9100* | 5320 | 4680 | 2800 | 2950 | 1800 | 2090 | 1270 | 1570* | 1200 | 7.76 |
| -3.0 m | | | 6670* | 6670* | 8870* | 5380 | 4690 | 2810 | 2970 | 1820 | | | 2040* | 1470 | 6.89 |
| -4.5 m | | | 10690* | 10690* | 7350* | 5590 | 4720 | 2970 | | | | | 3290* | 2140 | 5.49 |

* Hydraulic capacity 87%

Lifting capacity

* Hydraulic capacity 87%

| Front 360° | REACH | | | | | | | | | | | | |
|---------------|-------|-------|-------|-------|-------|-------|--------------|--|---|--|--|--|--|
| | 0 m | 1.5 m | 3.0 m | 4.5 m | 6.0 m | 7.5 m | At max reach | | m | | | | |

CX130C BLADE UP. Standard arm. 2.50 m arm length, 0.50 m³ bucket, 600G shoes, max reach 8.31 m

| | | | | | | | | | | | | | | | |
|--------|--|--------|--------|--------|--------|--------|--------|--------|--------|------|--------|--------|--------|--------|------|
| 7.5 m | | | | | | | 1840 * | 1840 * | | | | | 1430 * | 1430 * | 5.22 |
| 6.0 m | | | | | | | | | 2380 * | 2320 | | | 1210 * | 1210 * | 6.7 |
| 4.5 m | | | | | | | 2910 * | 2910 * | 2840 * | 2280 | 1250 * | 1250 * | 1150 * | 1150 * | 7.53 |
| 3.0 m | | | | 5260 * | 5260 * | 3960 * | 3520 | 2880 | 2180 | 1950 | 1460 | 1150 * | 1150 * | 7.94 | |
| 1.5 m | | | | 7710 * | 6160 | 4410 | 3260 | 2750 | 2060 | 1890 | 1410 | 1210 * | 1210 * | 8.02 | |
| 0 m | | 2480 * | 2480 * | 7980 * | 5700 | 4180 | 3050 | 2650 | 1960 | 1850 | 1360 | 1350 * | 1280 | 7.8 | |
| -1.5 m | | 5020 * | 5020 * | 8260 | 5660 | 4090 | 2970 | 2590 | 1910 | | | 1620 * | 1430 | 7.25 | |
| -3.0 m | | 7810 * | 7810 * | 8380 | 5760 | 4130 * | 3010 | 2650 | 1980 | | | 2180 * | 1800 | 6.31 | |
| -4.5 m | | | | 6470 * | 5890 * | 4010 * | 3140 | | | | | 3500 * | 2840 | 4.76 | |

CX130C BLADE DOWN. Standard arm. 2.50 m arm length, 0.50 m³ bucket, 600G shoes, max reach 8.31 m

| | | | | | | | | | | | | | | | |
|--------|--|--------|--------|--------|--------|--------|--------|--------|--------|--------|--------|--------|--------|--------|------|
| 7.5 m | | | | | | | 1840 * | 1840 * | | | | | 1430 * | 1430 * | 5.22 |
| 6.0 m | | | | | | | | | 2380 * | 2380 * | | | 1210 * | 1210 * | 6.7 |
| 4.5 m | | | | | | | 2910 * | 2910 * | 2840 * | 2400 | 1250 * | 1250 * | 1150 * | 1150 * | 7.53 |
| 3.0 m | | | | 5260 * | 5260 * | 3960 * | 3680 | 3280 * | 2300 | 2410 * | 1540 | 1150 * | 1150 * | 7.94 | |
| 1.5 m | | | | 7710 * | 6550 | 5070 * | 3440 | 3840 * | 2180 | 2880 * | 1490 | 1210 * | 1210 * | 8.02 | |
| 0 m | | 2480 * | 2480 * | 7980 * | 6080 | 5810 * | 3230 | 4220 * | 2070 | 2670 * | 1450 | 1350 * | 1350 * | 7.8 | |
| -1.5 m | | 5020 * | 5020 * | 9250 * | 6040 | 2950 * | 3140 | 4270 * | 2030 | | | 1620 * | 1520 | 7.25 | |
| -3.0 m | | 7810 * | 7810 * | 8530 * | 6140 | 5610 * | 3190 | 2840 * | 2090 | | | 2180 * | 1910 | 6.31 | |
| -4.5 m | | | | 6470 * | 6230 | 4010 * | 3320 | | | | | 3500 * | 3010 | 4.76 | |

CX130C BLADE DOWN. Short arm. 2.10 m arm length, 0.50 m³ bucket, 600G LC shoes, max reach 7.96 m

| | | | | | | | | | | | | | | | |
|--------|--|--------|--------|--------|--------|--------|--------|--------|--------|--------|------|--------|--------|--------|------|
| 7.5 m | | | | | | | 2070 * | 2070 * | | | | | 1760 * | 1760 * | 4.6 |
| 6.0 m | | | | | | | 2900 * | 2900 * | 2270 * | 2270 * | | | 1460 * | 1460 * | 6.26 |
| 4.5 m | | | | | | | 3240 * | 3240 * | 3020 * | 2340 | | | 1370 * | 1370 * | 7.14 |
| 3.0 m | | | | 5680 * | 5680 * | 4250 * | 3610 | 3460 * | 2240 | 1810 * | 1490 | 1370 * | 1370 * | 7.58 | |
| 1.5 m | | | | 8030 * | 6330 | 5290 * | 3360 | 3950 * | 2130 | 2360 * | 1450 | 1430 * | 1390 | 7.67 | |
| 0 m | | | | 7270 * | 5940 | 5870 * | 3170 | 4240 * | 2040 | | | 1600 * | 1440 | 7.44 | |
| -1.5 m | | 5460 * | 5460 * | 9090 * | 6020 | 5890 * | 3120 | 4210 * | 2010 | | | 1920 * | 1640 | 6.86 | |
| -3.0 m | | 8160 * | 8160 * | 8060 * | 6150 | 5350 * | 3200 | | | | | 2660 * | 2140 | 5.85 | |
| -4.5 m | | | | 5480 * | 5480 * | | | | | | | 3810 * | 3810 * | 4.0 | |

CX130C BLADE UP. Short arm. 2.10 m arm length, 0.50 m³ bucket, 600G LC shoes, max reach 7.96 m

| | | | | | | | | | | | | | | | |
|--------|--|--------|--------|--------|--------|--------|--------|--------|--------|--------|------|--------|--------|--------|------|
| 7.5 m | | | | | | | 2070 * | 2070 * | | | | | 1760 * | 1760 * | 4.6 |
| 6.0 m | | | | | | | 2900 * | 2900 * | 2270 * | 2250 | | | 1460 * | 1460 * | 6.26 |
| 4.5 m | | | | | | | 3240 * | 3240 * | 2920 | 2220 | | | 1370 * | 1370 * | 7.14 |
| 3.0 m | | | | 5680 * | 5680 * | 4250 * | 3430 | 2830 | 2130 | 1810 * | 1410 | 1370 * | 1370 * | 7.58 | |
| 1.5 m | | | | 8030 * | 5940 | 4320 | 3180 | 2700 | 2010 | 1860 | 1370 | 1430 * | 1310 | 7.67 | |
| 0 m | | | | 7270 * | 5570 | 4120 | 2990 | 2610 | 1920 | | | 1600 * | 1360 | 7.44 | |
| -1.5 m | | 5460 * | 5460 * | 8230 | 5640 | 4060 | 2940 | 2580 | 1900 | | | 1920 * | 1550 | 6.86 | |
| -3.0 m | | 8160 * | 8160 * | 8060 * | 5770 | 4140 | 3020 | | | | | 2660 * | 2020 | 5.85 | |
| -4.5 m | | | | 5480 * | 5480 * | | | | | | | 3810 * | 3720 | 4.0 | |

CX130C BLADE DOWN. Long arm. 3.00 m arm length, 0.50 m³ bucket, 600G LC shoes, max reach 8.77 m

| | | | | | | | | | | | | | | | |
|--------|--------|--------|---------|---------|--------|--------|--------|--------|--------|--------|--------|--------|--------|--------|------|
| 7.5 m | | | | | | | | | | | | | 1370 * | 1370 * | 5.96 |
| 6.0 m | | | | | | | | | 2240 * | 2240 * | | | 1200 * | 1200 * | 7.26 |
| 4.5 m | | | | | | | | | 2610 * | 2430 | 2050 * | 1630 | 1140 * | 1140 * | 8.02 |
| 3.0 m | | | | | | | 3450 * | 3450 * | 2990 * | 2350 | 2590 * | 1580 | 1150 * | 1150 * | 8.4 |
| 1.5 m | | | | 6630 * | 6620 * | 4700 * | 3510 | 3630 * | 2210 | 3040 * | 1510 | 1210 * | 1200 | 8.49 | |
| 0 m | | | 2600 * | 2600 * | 8570 * | 6130 | 5590 * | 3250 | 4090 * | 2090 | 3260 * | 1450 | 1340 * | 1230 | 8.28 |
| -1.5 m | 3700 * | 3700 * | 4560 * | 4560 * | 9100 * | 5950 | 5920 * | 3120 | 4260 * | 2010 | 2630 * | 1430 | 1570 * | 1350 | 7.76 |
| -3.0 m | 5040 * | 5040 * | 6670 * | 6670 * | 8870 * | 6020 | 5760 * | 3130 | 4090 * | 2030 | | | 2040 * | 1650 | 6.89 |
| -4.5 m | | | 10690 * | 10690 * | 7360 * | 6220 | 4790 * | 3290 | | | | | 3290 * | 2380 | 5.49 |

CX130C BLADE UP. Long arm. 3.00 m arm length, 0.50 m³ bucket, 600G LC shoes, max reach 8.77 m

| | | | | | | | | | | | | | | | |
|--------|--------|--------|---------|---------|--------|------|--------|--------|--------|--------|------|--------|--------|--------|------|
| 7.5 m | | | | | | | | | | | | | 1370 * | 1370 * | 5.96 |
| 6.0 m | | | | | | | | | 2240 * | 2240 * | | | 1200 * | 1200 * | 7.26 |
| 4.5 m | | | | | | | | | 2610 * | 2350 | | | 1140 * | 1140 * | 8.02 |
| 3.0 m | | | | | | | 3450 * | 3450 * | 2920 | 2240 | 1990 | 1500 | 1150 * | 1150 * | 8.4 |
| 1.5 m | | | | 6630 * | 6360 | 4460 | 3330 | 2790 | 2100 | 1920 | 1430 | 1210 * | 1130 | 8.49 | |
| 0 m | | | 2600 * | 2600 * | 8470 | 5740 | 4210 | 3080 | 2660 | 1970 | 1850 | 1370 | 1340 * | 1150 | 8.28 |
| -1.5 m | 3700 * | 3700 * | 4560 * | 4560 * | 8200 | 5570 | 4060 | 2940 | 2580 | 1900 | 1830 | 1340 | 1570 * | 1270 | 7.76 |
| -3.0 m | 5040 * | 5040 * | 6670 * | 6670 * | 8330 | 5640 | 4070 | 2960 | 2600 | 1920 | | | 2040 * | 1550 | 6.89 |
| -4.5 m | | | 10690 * | 10690 * | 7360 * | 5840 | 4180 | 3110 | | | | | 3040 | 2250 | 5.49 |

CX C-SERIES HYDRAULIC EXCAVATORS

CX160C

Specifications

Engine

Model _____ Tier 4 interim certified ISUZU AM-4JJ1X
Type _____ Water-cooled, 4-cycle diesel, 4-cylinder in line,
High pressure common rail system (electric control), Turbocharger
with air cooled intercooler, DPD system
Number of cylinders _____ 4
Bore/Stroke _____ 95.4 x 104.9 mm
Horsepower SAE J1349 NET _____ 92.2 kW at 2.200 min⁻¹
Maximum torque SAE J1349 NET _____ 391 Nm at 1.800 min⁻¹

Hydraulic system

Max oil flow _____ 2 x142 l/min @ 2.200 min⁻¹
2 variable displacement axial piston pumps with regulating system
Working circuit pressure _____
Boom/Arm/Bucket _____ 34.3 MPa
Boom/Arm/Bucket (with auto power up) _____ 36.3 MPa
Swing circuit _____ 27.9 MPa
Travel _____ 34.3 Mpa

Swing

Maximum swing speed _____ 11.5 min⁻¹

Travel

Travel motor _____ Variable displacement axial piston motor
Max travel speed _____ 5.4 km/h (Automatic travel speed shifting)
Low travel speed _____ 2.8 km/h
Gradeability _____ 70% (35°)
Drawbar pull _____ 161 kN

Electrical system

Alternator _____ 50 Amp

Undercarriage

Number of carriers rollers (each side) _____ 2
Number of track rollers (each side) _____ 7
Number of shoes (each side) _____ 44
Type of shoe _____ Triple grouser shoe

Capacities

Fuel tank _____ 300 l
Hydraulic system _____ 165 l
Cooling system _____ 16.2 l

Weight and ground pressure

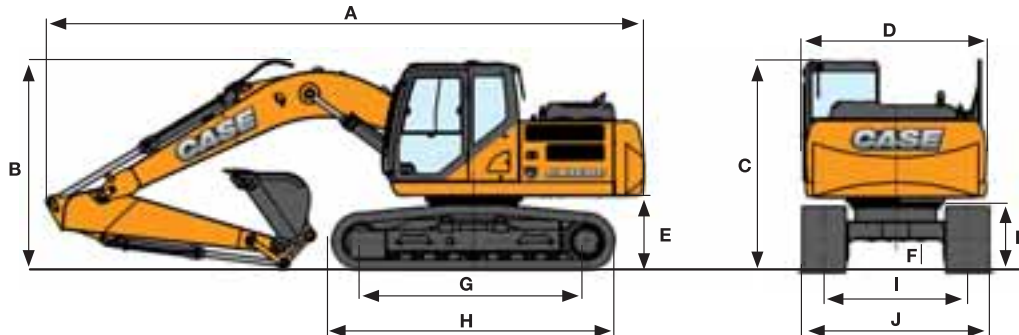
With 2.60 m Arm , 0.62 m³ bucket, operator, lubricant, coolant, full fuel tank

| | Weight (kg) | Ground pressure (MPa) |
|---------------------|-------------|-----------------------|
| 600 mm grouser shoe | 17.200 | 0.040 |

CX C-SERIES HYDRAULIC EXCAVATORS

CX160C

General dimensions



| | Arm 2.20 m | Arm 2.60 m | Arm 3.00 m |
|--|------------|------------|------------|
| Overall length (without attachment) | 4410 mm | 4410 mm | 4410 mm |
| A Overall length (with attachment) | 8470 mm | 8440 mm | 8500 mm |
| B Overall height (with attachment) | 3050 mm | 3050 mm | 3150 mm |
| C Cab height | 3050 mm | 3050 mm | 3050 mm |
| D Upper structure overall width | 2540 mm | 2540 mm | 2540 mm |
| Swing (rear end) radius | 2450 mm | 2450 mm | 2450 mm |
| E Clearance height under upper structure | 1020 mm | 1020 mm | 1020 mm |
| F Minimum ground clearance | 440 mm | 440 mm | 440 mm |
| G Wheel base (Center to center of wheels) | 3190 mm | 3190 mm | 3190 mm |
| H Crawler overall length | 3990 mm | 3990 mm | 3990 mm |
| I Track gauge | 1990 mm | 1990 mm | 1990 mm |
| J Undercarriage overall width (with 600 mm shoes) | 2490 mm | 2490 mm | 2490 mm |
| K Crawler tracks height | 920 mm | 920 mm | 920 mm |

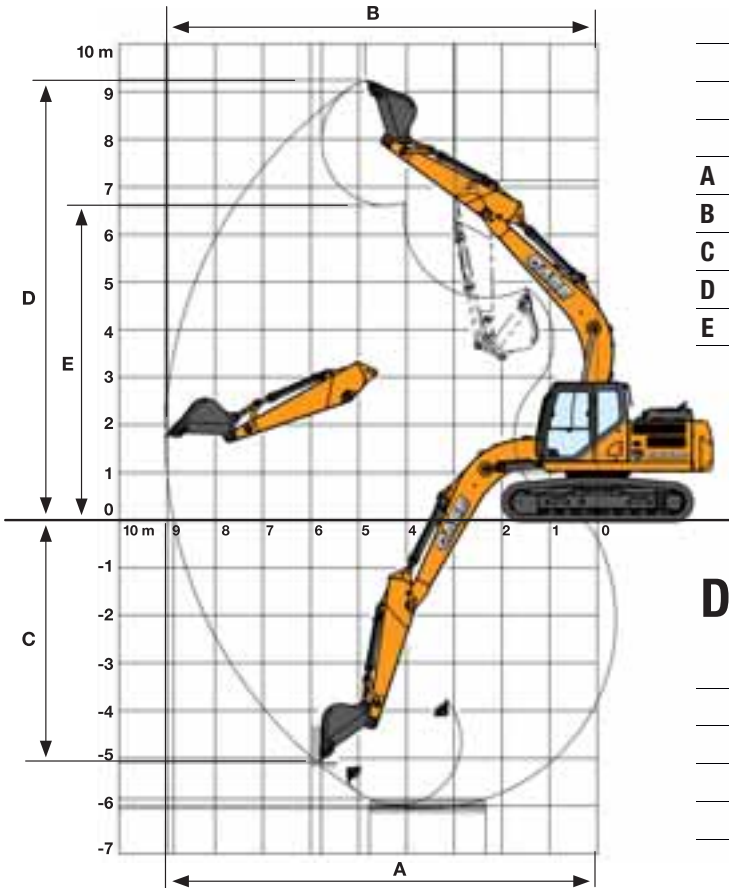
Lifting capacity

| Front 360° | REACH | | | | | | |
|---------------|-------|-------|-------|-------|-------|-------|-------------------|
| | 1.5 m | 3.0 m | 4.5 m | 6.0 m | 7.5 m | 9.0 m | At max reach m |

Standard arm. 2.60 m arm length, 0.62 m³ bucket, 600G LC shoes, max reach 9.04 m

| | | | | | | | | | | | | | | |
|--------|---------|--------|---------|--------|-------|--------|--------|--------|-------|------|--|-------|-------|------|
| 7.5 m | | | | | | 2600 * | 2600 * | | | | | 1610* | 1610* | 6.52 |
| 6.0 m | | | | | | 3240 * | 3240 * | 2020 * | 2020* | | | 1460* | 1460* | 7.68 |
| 4.5 m | | | | | | 4250 * | 3110 | 3200 * | 2070 | | | 1420* | 1420* | 8.35 |
| 3.0 m | | | 8530 * | 8530 * | 6170* | 4670 | 4690 | 2920 | 3220 | 1980 | | 1450* | 1450* | 8.68 |
| 1.5 m | | | 8890 * | 7840 | 7170 | 4250 | 4470 | 2720 | 3100 | 1880 | | 1540* | 1420 | 8.7 |
| 0 m | | | 7510 * | 7220 | 6810 | 3950 | 4290 | 2560 | 3010 | 1790 | | 1710* | 1470 | 8.44 |
| -1.5 m | 6040 * | 6040* | 9640 * | 7340 | 6670 | 3840 | 4200 | 2490 | 2990 | 1770 | | 2030* | 1640 | 7.88 |
| -3.0 m | 8590 * | 8590* | 12880 * | 7470 | 6720 | 3900 | 4250 | 2540 | | | | 2680* | 2020 | 6.96 |
| -4.5 m | 12540 * | 12540* | 10500 * | 7770 | 6820 | 4210 | | | | | | 4420* | 2950 | 5.52 |

Performance data



| | Arm 2.20 m | Arm 2.60 m | Arm 3.00 m |
|------------------------|------------|------------|------------|
| Boom length | 5150 mm | 5150 mm | 5150 mm |
| Bucket radius | 1350 mm | 1350 mm | 1350 mm |
| Bucket wrist action | 178 ° | 178 ° | 178 ° |
| A Maximum reach at GRP | 8500 mm | 8870 mm | 9220 mm |
| B Maximum reach | 8670 mm | 9040 mm | 9380 mm |
| C Max. digging depth | 5660 mm | 6060 mm | 6490 mm |
| D Max. digging height | 9010 mm | 9240 mm | 9290 mm |
| E Max. dumping height | 6380 mm | 6610 mm | 6690 mm |

Digging force With 0.62 m³ bucket (ISO 6015)

| | Arm 2.20 m | Arm 2.60 m | Arm 3.00 m |
|-------------------------|------------|------------|------------|
| Arm digging force | 90 kN | 79 kN | 72 kN |
| - with auto power boost | 95 kN | 84 kN | 77 kN |
| Bucket digging force | 112 kN | 112 kN | 112 kN |
| - with auto power boost | 118 kN | 118 kN | 118 kN |

Lifting capacity

| Front 360° | REACH | | | | | | |
|---------------|-------|-------|-------|-------|-------|-------|-------------------|
| | 1.5 m | 3.0 m | 4.5 m | 6.0 m | 7.5 m | 9.0 m | At max reach m |

Short arm. 2.20 m arm length, 0.62 m³ bucket, 600G LC shoes, max reach 8.67 m

| | | | | | | | | | | | | | | | | |
|--------|-------|-------|--------|------|-------|------|-------|------|--|--|--|-------|-------|-------|-------|------|
| 7.5 m | | | | | | | | | | | | 2130* | 2130* | 5.98 | | |
| 6.0 m | | | | | | | 3780* | 3200 | | | | | | 1940* | 1940* | 7.25 |
| 4.5 m | | | | | | | | | | | | | | | | |
| 3.0 m | | | | | | | | | | | | | | | | |
| 1.5 m | | | | | | | | | | | | | | | | |
| 0 m | | | | | | | | | | | | | | | | |
| -1.5 m | 6750* | 6750* | 10140* | 7450 | 6720 | 3890 | 4240 | 2530 | | | | | | 2270* | 1620 | 8.06 |
| -3.0 m | 9500* | 9500* | 12390* | 7600 | 6790* | 3970 | 4330 | 2620 | | | | | | 2700* | 1820 | 7.47 |
| -4.5 m | | | | | | | | | | | | | | 3620* | 2290 | 6.49 |
| | | | | | | | | | | | | | | 5240* | 3560 | 4.94 |

Long arm. 3.00 m arm length, 0.51 m³ bucket, 600G LC shoes, max reach 9.38 m

| | | | | | | | | | | | | | | | | |
|--------|--|--|--|--|--|--|--|--|--|--|--|--|--|--|--|--|
| 7.5 m | | | | | | | | | | | | | | | | |
| 6.0 m | | | | | | | | | | | | | | | | |
| 4.5 m | | | | | | | | | | | | | | | | |
| 3.0 m | | | | | | | | | | | | | | | | |
| 1.5 m | | | | | | | | | | | | | | | | |
| 0 m | | | | | | | | | | | | | | | | |
| -1.5 m | | | | | | | | | | | | | | | | |
| -3.0 m | | | | | | | | | | | | | | | | |
| -4.5 m | | | | | | | | | | | | | | | | |

* Hydraulic capacity 87%

CX C-SERIES HYDRAULIC EXCAVATORS

CX180C

Specifications

Engine

Model _____ Tier 4 interim certified ISUZU AM-4JJ1X
Type _____ Water-cooled, 4-cycle diesel, 4-cylinder in line,
High pressure common rail system (electric control), Turbocharger
with air cooled intercooler, DPD system
Number of cylinders _____ 4
Bore/Stroke _____ 95.4 x 104.9 mm
Horsepower SAE J1349 NET _____ 92.2 kW at 2.200 min⁻¹
Maximum torque SAE J1349 NET _____ 391 Nm at 1.800 min⁻¹

Hydraulic system

Max oil flow _____ 2 x142 l/min @ 2.200 min⁻¹
2 variable displacement axial piston pumps with regulating system
Working circuit pressure _____
Boom/Arm/Bucket _____ 34.3 MPa
Boom/Arm/Bucket (with auto power up) _____ 36.3 MPa
Swing circuit _____ 27.9 MPa
Travel _____ 34.3 Mpa

Swing

Maximum swing speed _____ 11.5 min⁻¹

Travel

Travel motor _____ Fixed displacement axial piston motor
Max travel speed _____ 4.0 km/h (Automatic travel speed shifting)
Low travel speed _____ 2.3 km/h
Gradeability _____ 70% (35°)
Drawbar pull _____ 190 kN

Electrical system

Alternator _____ 50 Amp

Undercarriage

Number of carriers rollers (each side) _____ 2
Number of track rollers (each side) _____ 7
Number of shoes (each side) _____ 46
Type of shoe _____ Triple grouser shoe

Capacities

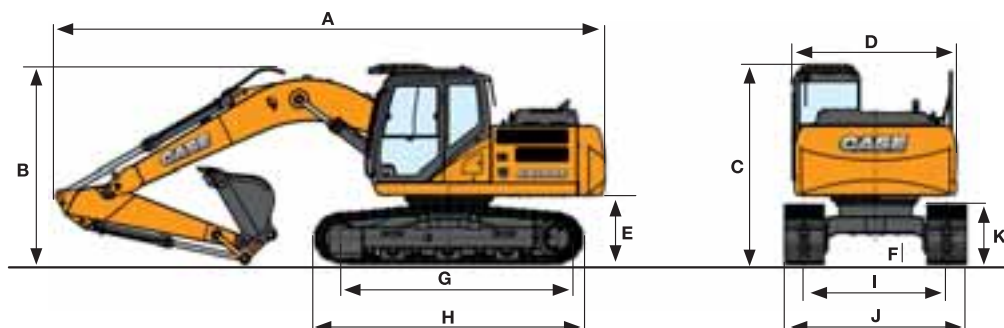
Fuel tank _____ 300 l
Hydraulic system _____ 165 l
Cooling system _____ 16.2 l

Weight and ground pressure

With 2.60 m Arm , 0.68 m³ bucket, operator, lubricant, coolant, full fuel tank

| | Weight (kg) | Ground pressure (MPa) |
|---------------------|-------------|-----------------------|
| 600 mm grouser shoe | 17.400 | 0.041 |

General dimensions



Arm 2.20 m

Arm 2.60 m

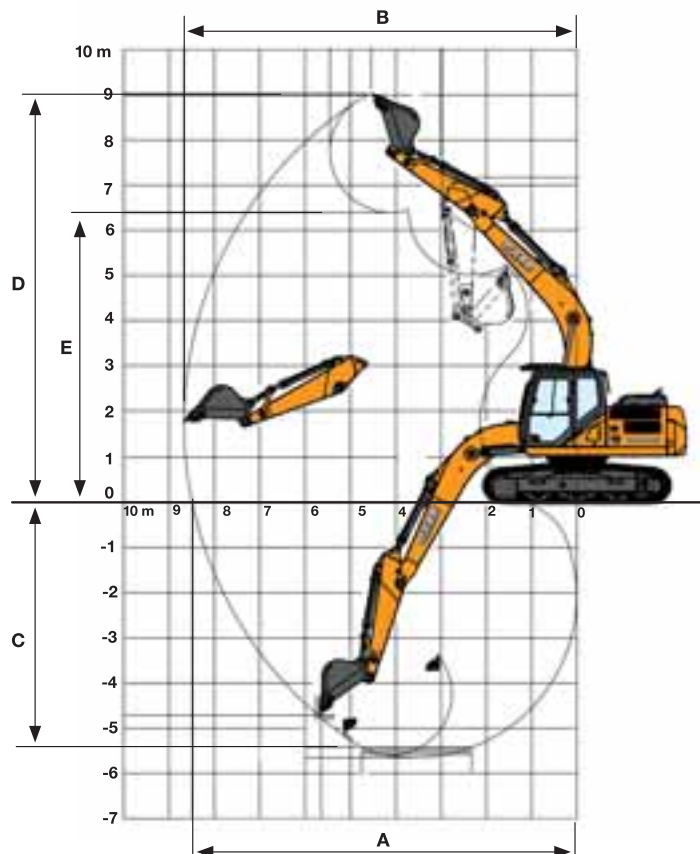
Arm 3.00 m

| | Arm 2.20 m | Arm 2.60 m | Arm 3.00 m |
|---|------------|------------|------------|
| Overall length (without attachment) | 4500 mm | 4500 mm | 4500 mm |
| A Overall length (with attachment) | 8470 mm | 8440 mm | 8500 mm |
| B Overall height (with attachment) | 3090 mm | 3090 mm | 3130 mm |
| C Cab height | 3090 mm | 3090 mm | 3090 mm |
| D Upper structure overall width | 2540 mm | 2540 mm | 2540 mm |
| Swing (rear end) radius | 2450 mm | 2450 mm | 2450 mm |
| E Clearance height under upper structure | 1040 mm | 1040 mm | 1040 mm |
| F Minimum ground clearance | 440 mm | 440 mm | 440 mm |
| G Wheel base (Center to center of wheels) | 3370 mm | 3370 mm | 3370 mm |
| H Crawler overall length | 4180 mm | 4180 mm | 4180 mm |
| I Track gauge | 2200 mm | 2200 mm | 2200 mm |
| J Undercarriage overall width (with 600 mm shoes) | 2800 mm | 2800 mm | 2800 mm |
| K Crawler tracks height | 920 mm | 920 mm | 920 mm |

CX C-SERIES HYDRAULIC EXCAVATORS

CX180C

Performance data



| | Arm 2.20 m | Arm 2.60 m | Arm 3.00 m |
|------------------------|------------|------------|------------|
| Boom length | 5150 mm | 5150 mm | 5150 mm |
| Bucket radius | 1350 mm | 1350 mm | 1350 mm |
| Bucket wrist action | 178 ° | 178 ° | 178 ° |
| A Maximum reach at GRP | 8500 mm | 8870 mm | 9220 mm |
| B Maximum reach | 8670 mm | 9040 mm | 9380 mm |
| C Max. digging depth | 5640 mm | 6040 mm | 6470 mm |
| D Max. digging height | 9030 mm | 9260 mm | 9310 mm |
| E Max. dumping height | 6400 mm | 6630 mm | 6710 mm |

Digging force With 0.62 m³ bucket (ISO 6015)

| | Arm 2.20 m | Arm 2.60 m | Arm 3.00 m |
|-------------------------|------------|------------|------------|
| Arm digging force | 90 kN | 79 kN | 72 kN |
| - with auto power boost | 95 kN | 84 kN | 77 kN |
| Bucket digging force | 112 kN | 112 kN | 112 kN |
| - with auto power boost | 118 kN | 118 kN | 118 kN |

Lifting capacity

| Front 360° | REACH | | | | | | | |
|---------------|-------|-------|-------|-------|-------|-------|-------|--------------|
| | 0 m | 1.5 m | 3.0 m | 4.5 m | 6.0 m | 7.5 m | 9.0 m | At max reach |

Short arm. 2.20 m arm length, 0.68 m³ bucket, 600G LC shoes, max reach 8.67 m

| | | | | | | | | | | | | | | | | |
|--------|--|--|--|--|--|--|--|--|--|--|--|--|--|-------|-------|------|
| 7.5 m | | | | | | | | | | | | | | 2100* | 2100* | 6 |
| 6.0 m | | | | | | | | | | | | | | 3750* | 3750* | 7.26 |
| 4.5 m | | | | | | | | | | | | | | 4980* | 4980* | 7.97 |
| 3.0 m | | | | | | | | | | | | | | 6660* | 5510 | 8.31 |
| 1.5 m | | | | | | | | | | | | | | 9460* | 9460* | 8.33 |
| 0 m | | | | | | | | | | | | | | 6380* | 6380* | 8.06 |
| -1.5 m | | | | | | | | | | | | | | 7140* | 7140* | 7.46 |
| -3.0 m | | | | | | | | | | | | | | 7980 | 4780 | 6.48 |
| -4.5 m | | | | | | | | | | | | | | 4940 | 3110 | 4.92 |

Standard arm. 2.60 m arm length, 0.68 m³ bucket, 600G LC shoes, max reach 9.04 m

| | | | | | | | | | | | | | | | | | | | |
|--------|--|--|--|--|--|--|--|--|--|--|--|--|--|--|--|--|-------|-------|------|
| 7.5 m | | | | | | | | | | | | | | | | | 2100* | 2100* | 6 |
| 6.0 m | | | | | | | | | | | | | | | | | 3750* | 3750* | 7.26 |
| 4.5 m | | | | | | | | | | | | | | | | | 4980* | 4980* | 7.97 |
| 3.0 m | | | | | | | | | | | | | | | | | 6660* | 5510 | 8.31 |
| 1.5 m | | | | | | | | | | | | | | | | | 9460* | 9460* | 8.33 |
| 0 m | | | | | | | | | | | | | | | | | 6380* | 6380* | 8.06 |
| -1.5 m | | | | | | | | | | | | | | | | | 7140* | 7140* | 7.46 |
| -3.0 m | | | | | | | | | | | | | | | | | 7980 | 4780 | 6.48 |
| -4.5 m | | | | | | | | | | | | | | | | | 4940 | 3110 | 4.92 |

Long arm. 3.00 m arm length, 0.62 m³ bucket, 600G LC shoes, max reach 9.38 m

| | | | | | | | | | | | | | | | | | | | |
|--------|--|--|--|--|--|--|--|--|--|--|--|--|--|--|--|--|--|--|--|
| 7.5 m | | | | | | | | | | | | | | | | | | | |
| 6.0 m | | | | | | | | | | | | | | | | | | | |
| 4.5 m | | | | | | | | | | | | | | | | | | | |
| 3.0 m | | | | | | | | | | | | | | | | | | | |
| 1.5 m | | | | | | | | | | | | | | | | | | | |
| 0 m | | | | | | | | | | | | | | | | | | | |
| -1.5 m | | | | | | | | | | | | | | | | | | | |
| -3.0 m | | | | | | | | | | | | | | | | | | | |
| -4.5 m | | | | | | | | | | | | | | | | | | | |

* Hydraulic capacity 87%

STANDARD EQUIPMENT

ENGINE

Isuzu 4-cylinder turbodiesel in line
 Certified Tier 4 interim / EU stage 3b
 Electronic fuel injection
 High pressure common rail system
 Variable geometry turbo charger
 Exhaust gas recirculation
 Diesel Particulate Diffuser (DPD)
 Neutral safety start
 Auto-engine warm up, emergency stop
 Glow-plug pre-heat
 Idle System:
 Auto-idle
 One-touch idle
 Idle shut-down
 EPF (Engine Protection Feature)
 Dual-stage fuel filtration
 Dual element airfilter
 Remote oil filter
 Green plug oil drain
 500-hour engine oil change interval
 Refuelling Pump

HYDRAULICS

Auto power boost
 Auto swing priority
 Auto travel speed change
 Selectable work modes

Overload warning device
 SWC - SWING RELIEF CONTROL
 SSC - SPOOL STROKE CONTROL
 BEC - BOOM ECONOMY CONTROL
 AEC - AUTO ECONOMY CONTROL
 SEC - SWING ECONOMY CONTROL
 ISO pattern controls
 Pre-set auxiliary pump settings
 Switch controlled auxiliary selection
 Auxiliary valve
 Auxiliary pipe brackets
 5,000 hour hydraulic oil change interval
 1,000 hour hydraulic filter change interval
 Hydraulic track adjustment
 SAHR brake

UPPERSTRUCTURE

Isolation mounted cab (fluid and spring)
 Common key vandal locks
 Swivel guard belly pan
 Rear view safety camera
ATTACHMENT
 Bucket linkage with hook
 Boom mounted work light (70 watt)
 Auxiliary pipe brackets
 Centralized lube bank

Attachment cushion valve
 Arm and boom regeneration
 Arm and boom hose burst check valves

ONLY FOR CX130C

Standard monoboom 4.63 m
 Arm 2.50 m

ONLY FOR CX160C - CX180C

Standard monoboom 5.15m
 Arm 2.60m

OPERATOR STATION

ROPS/FOPS level 1 cab
 FOPS guard OPG level II on cab roof
 Pressurized cab
 Tempered safety glass
 One-touch lock front window
 Sun visor & rain deflector
 AC/heat/defrost w/ auto climate control
 Hot & coolbox, cup holder & ashtray
 Interior dome light
 Cloth covered air-suspension seat
 Seat-belt
 Adjustable armrests
 Tilting consoles - 4-position
 Low-effort controls (short)
 Sliding cockpit (180 mm)

Controls pre-wired for auxiliary
 Auxiliary select system
 Straight travel
 Aux-in port for personal electronics
 Multifunction color monitor
 Rear-view camera
 Anti-theft system (start code system)
 Rubber floor mat
 12-volt electric socket
 24-volt cigarette lighter
 One-piece right hand window
 2 internal & 3 external view mirrors
 2 working lights (boom & upperstructure)
 2 cab top working lights
 Windshield wiper / washer
 Clear (Lexan) roof window w/ sunshade
 Storage compartments
 On-board diagnostic system
 Travel alarm with cancel switch

UNDERCARRIAGE

600 mm steel shoes, triple semigrouser
 Full overlap turntable bearing tub
ONLY FOR CX160C - CX180C
 Single track guide

OPTIONS

HYDRAULICS

Auxiliary Hydraulics -
 Single acting pedal-activated breaker circuit
 Pedal activated multifunction circuit
 Pedal activated multifunction circuit w/pressure control
 Pedal activated low-flow circuit

ATTACHMENT

Hydraulic or mechanic quickcoupler
 Buckets: Extreme / Heavy duty / GP / ditching
 Hammers, shears, grapples
OPERATOR STATION
 Front cab guard - vertical bars (OPG level 2)

Front cab guard - vertical bars (OPG level 1)
 Front mesh screen
 AM/FM CD/radio w/ antenna and 2-speakers
 Side-view camera
UPPERSTRUCTURE
 Auto centralized greasing system

Rubber bumper guard (order through Service Parts)
UNDERCARRIAGE
 Steel shoes, triple semi-grouser 750 / 900mm
 Steel shoes, triple semi-grouser
 Full track guide

Standard and optional equipment shown can vary by country.

CASE CONSTRUCTION EQUIPMENT CONTACT INFORMATION

CNH UK LTD

Unit 4, Hayfield Lane Business Park, Field Lane, Auckland, Doncaster, DN9 3FL
UNITED KINGDOM
 Tel: 800 2273 7373

CNH INDUSTRIAL ITALIA SPA

Strada di Settimo, 323
 10099 San Mauro Torinese (TO)
ITALIA
 Tel: 800 2273 7373

CNH INDUSTRIAL DEUTSCHLAND GMBH

Case Baumaschinen
 Benzstr. 1-3 - D-74076 Heilbronn
DEUTSCHLAND
 Tel: 800 2273 7373

CNH INDUSTRIAL MAQUINARIA SPAIN, S.A.

Avda. José Gárate, 11
 28823 Coslada (Madrid)
ESPAÑA
 Tel: 800 2273 7373

CNH INDUSTRIAL FRANCE, S.A.

16-18 Rue des Rochettes
 91150 Morigny-Champigny
FRANCE
 Tel: 800 2273 7373

NOTE: Standard and optional fittings can vary according to the demands and specific regulations of each country. The illustrations may include optional rather than standard fittings - consult your Case dealer. Furthermore, CNH Industrial reserves the right to modify machine specifications without incurring any obligation relating to such changes.

Conforms to directive 2006/42/EC